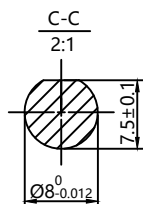
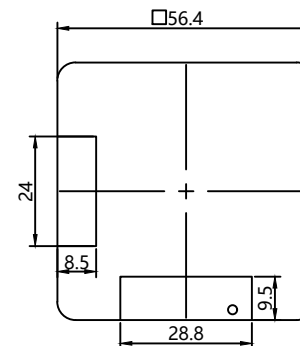
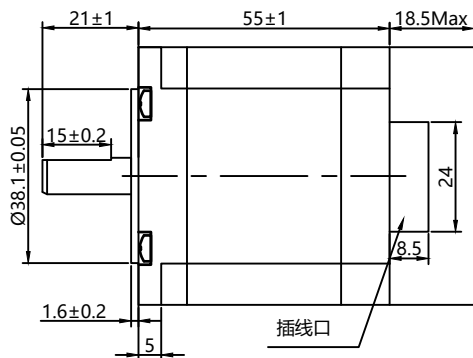
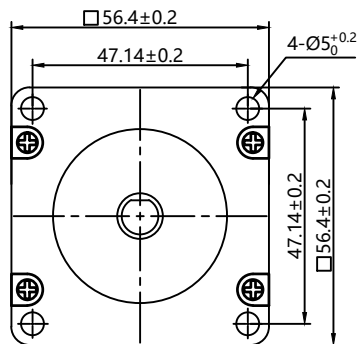


SUMTOR



| SW1 | SW2 | Peak(A) | RMS(A) |
|-----|-----|---------|--------|
| OFF | OFF | 2.1 | 1.5 |
| ON | OFF | 2.8 | 2.0 |
| OFF | ON | 3.5 | 2.5 |
| ON | ON | 4.4 | 3.1 |

| Electrical Specifications | | | | | | | | |
|---------------------------|------|-----------------------|-------|-----------|-----|-----|-----|-----|
| PHASE | 相数 | 2 | PHASE | pulse/rev | SW3 | SW4 | SW5 | SW6 |
| STEP ANGLE | 步距角 | 1.8 ° | /STEP | 200 | ON | ON | ON | ON |
| RATED VOLTAGE | 相电压 | 1.6 V | | 400 | OFF | ON | ON | ON |
| CURRENT | 相电流 | 4.0 A | | 800 | ON | OFF | ON | ON |
| RESISTANCE | 相电阻 | 0.4 Ω | | 1600 | OFF | OFF | ON | ON |
| INDUCTANCE | 相电感 | 1.4 mH | | 3200 | ON | ON | OFF | ON |
| HOLDING TORQUE | 静力矩 | 1.3 NM | | 6400 | OFF | ON | OFF | ON |
| DETENT TORQUE | 定位力矩 | 45 mNm | | 12800 | ON | OFF | OFF | ON |
| ROTOR INERTIA | 转动惯量 | 280 g.cm ² | | 25600 | OFF | OFF | OFF | ON |
| MOTOR LENTH | 机身长度 | 73.5 mm | | 1000 | ON | ON | ON | OFF |

DC12-50V

GND

DC+

PU+ PU-

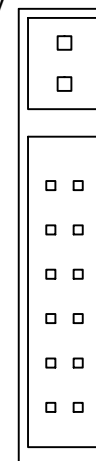
DR+ DR-

EN+ EN-

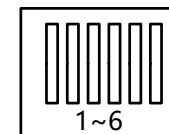
AM+ AM-

A B

A B



接线示意图



| 序号 | 数量 | 名称/代号/材料 | | | |
|---|---------|----------|------|----------|------|
| | 2000 | OFF | ON | ON | OFF |
| | 4000 | ON | OFF | ON | OFF |
| | 5000 | OFF | OFF | ON | OFF |
| | 10000 | ON | ON | OFF | OFF |
| | 20000 | OFF | ON | OFF | OFF |
| | 3600 | ON | OFF | OFF | OFF |
| | 7200 | OFF | OFF | OFF | OFF |
| 设计 | | 审核 | | 日期 | 比例 |
| 张百灵 | | 邹志仁 | | 2023/3/1 | 1:1 |
| 无锡三拓电气设备有限公司 SUMTOR(Wuxi) Electric CO.,Ltd | | | | 57HS56EI | |
| 项目 | 57开环一体机 | 图号 | 57HS | 版本 | V2.0 |